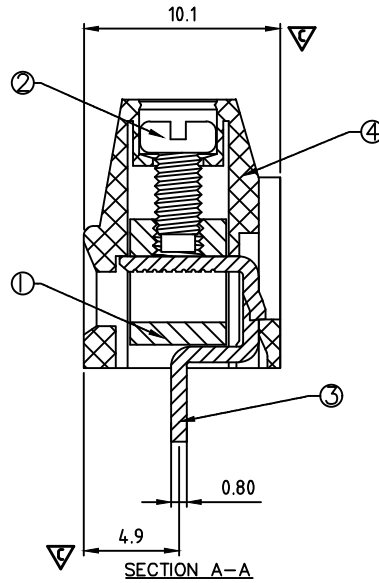
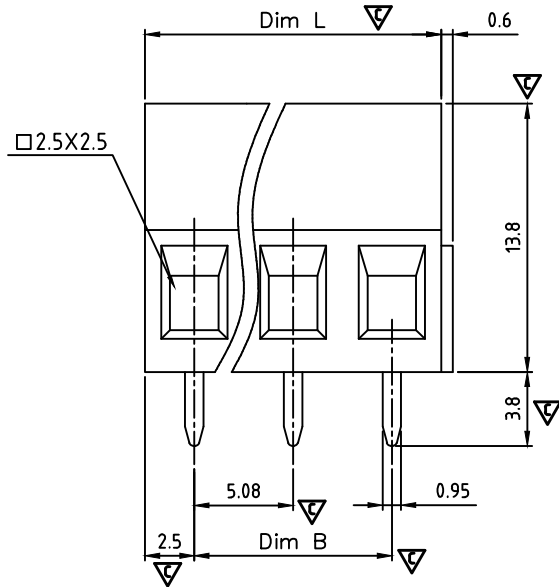


P.C.B LAYOUT  
TOP VIEW



## SPECIFICATIONS

- Voltage Rating: 300VAC
- Current Rating: 10 Amps
- Dielectric withstanding: 1.6KV
- Operating Temperature:  $-40^{\circ}\text{C}$  to  $+115^{\circ}\text{C}$
- ③ Wire Guard Solder Pin: Brass, Tin Plated
- ② Terminal Screw: Steel Zinc plating "-" slot type
- ④ Insulator Material: Thermoplastic, UL 94V-0
- Soldering Temperature:  $-40^{\circ}\text{C}$  to  $+115^{\circ}\text{C}$
- Wire Strip Length: 6-7mm
- Solid/Stranded Wire: 12-24 AWG
- Torque: 3.5Lb-In
- ① Clamp: Brass(CuZn) Ni plated
- Screw: M2.5
- Safety Approval: us

RPBW- XX BA X J-FG

02  
~  
24

- J: Black(RAL9005)
- C: Orange(RAL2011/P)
- E: Green(RAL6018/T)
- F: Blue(RAL5015/A)
- H: Grey(RAL7035/D)
- 3: Green(RAL6018/U)

FG: RoHS Compliant  
(Lead <4%) In copper Alloy

APTOS Technology CONFIDENTIAL  
This document, and all information it contains, are the confidential, proprietary property of APTOS Technology. Disclosure, duplication or distribution of this document, or any information it contains, in whole or part, without prior written permission from APTOS Technology is strictly prohibited

Poles	02	03	04	05	06	07	08	09	10	11	12	13
Dim L	10.16	15.24	20.32	25.40	30.48	35.56	40.64	45.72	50.80	55.88	60.96	66.04
Dim B	5.08	10.16	15.24	20.32	25.40	30.48	35.56	40.64	45.72	50.80	55.88	60.96
TOL	±0.20						±0.25					
Poles	14	15	16	17	18	19	20	21	22	23	24	
Dim L	71.12	76.20	81.28	86.36	91.44	96.52	101.60	106.68	111.76	116.84	121.92	
Dim B	66.04	71.12	76.20	81.28	86.36	91.44	96.52	101.60	106.68	111.76	116.84	
TOL	±0.30						±0.40					

GENERAL TOLERANCE UNLESS OTHERWISE SPECIFIED	
XXX. ± X	.XX ± 0.10
XX. ± X	.XXX ± X
X. ± 0.50	X.* ± 1'
.X ± 0.30	.X* ± 1'

REV.	A	DRAWN	JAG	6/5/18
DATE	10/20/09	CHECKED		
SCALE	3:1	APPROVED		
UNIT	mm			SIZE

**AP** APTOS  
TECHNOLOGY

RPBW Series  
5.08 mm Removable Plug

PRODUCT NO. RPBW-XXBAXJ-FG  
FILE NAME: RPBW-XXBAXJ-FG.dwg